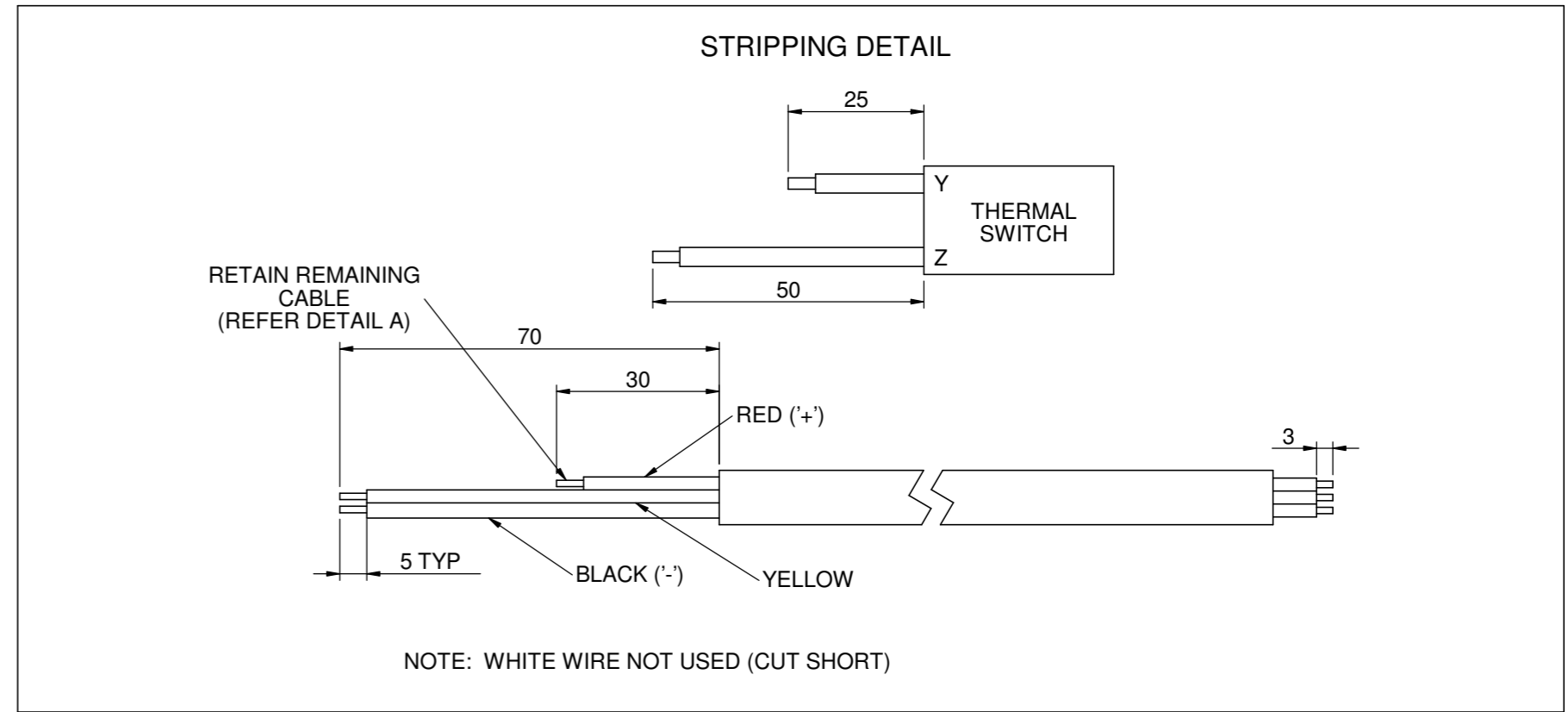
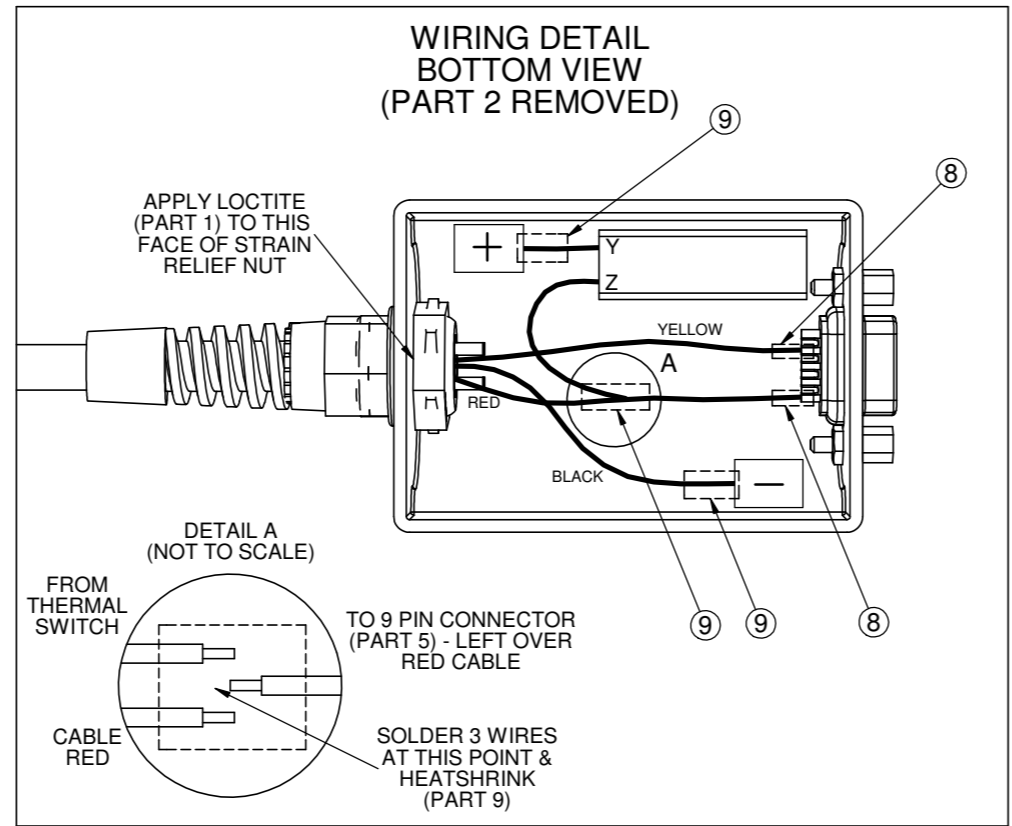
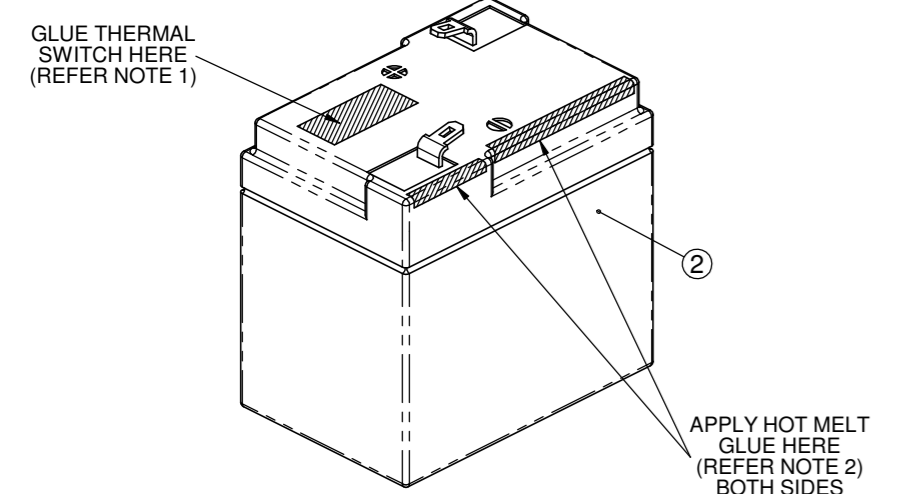
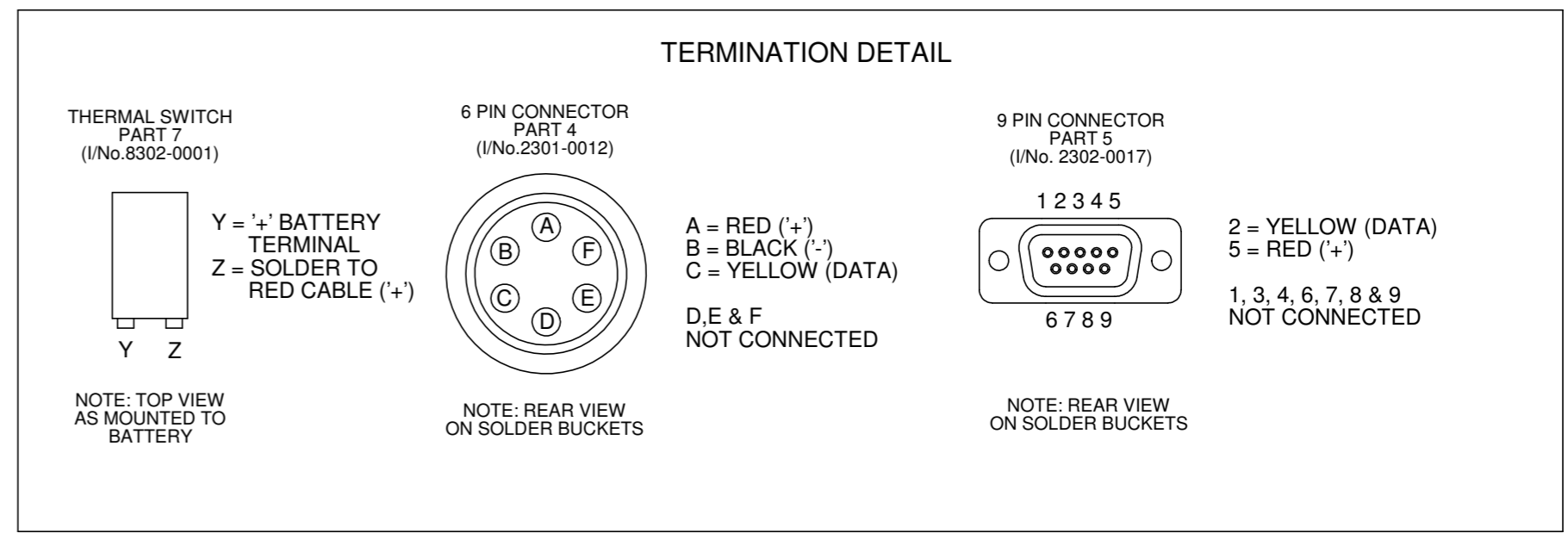
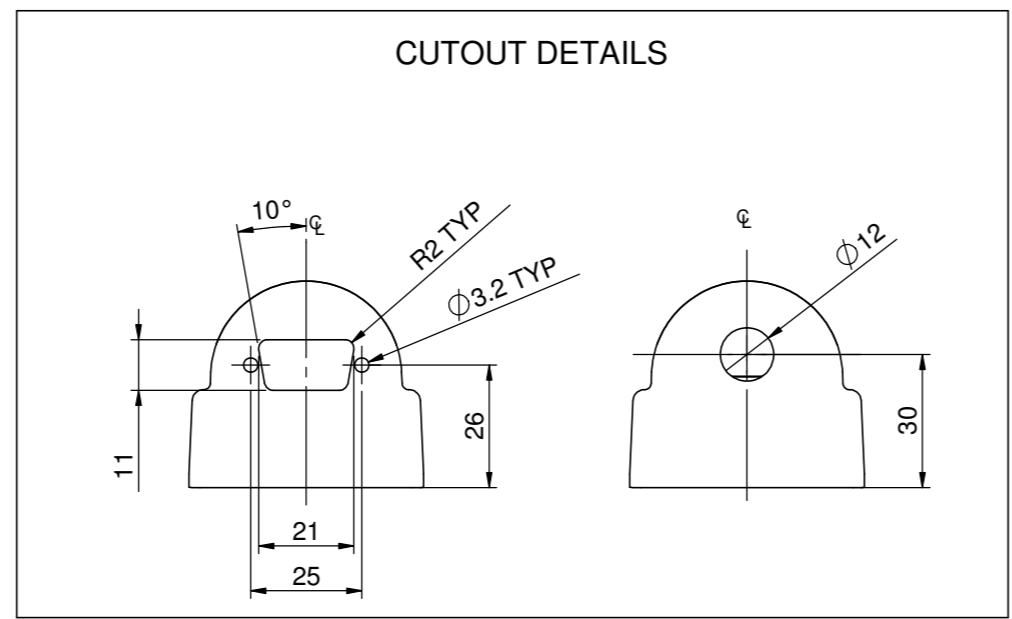
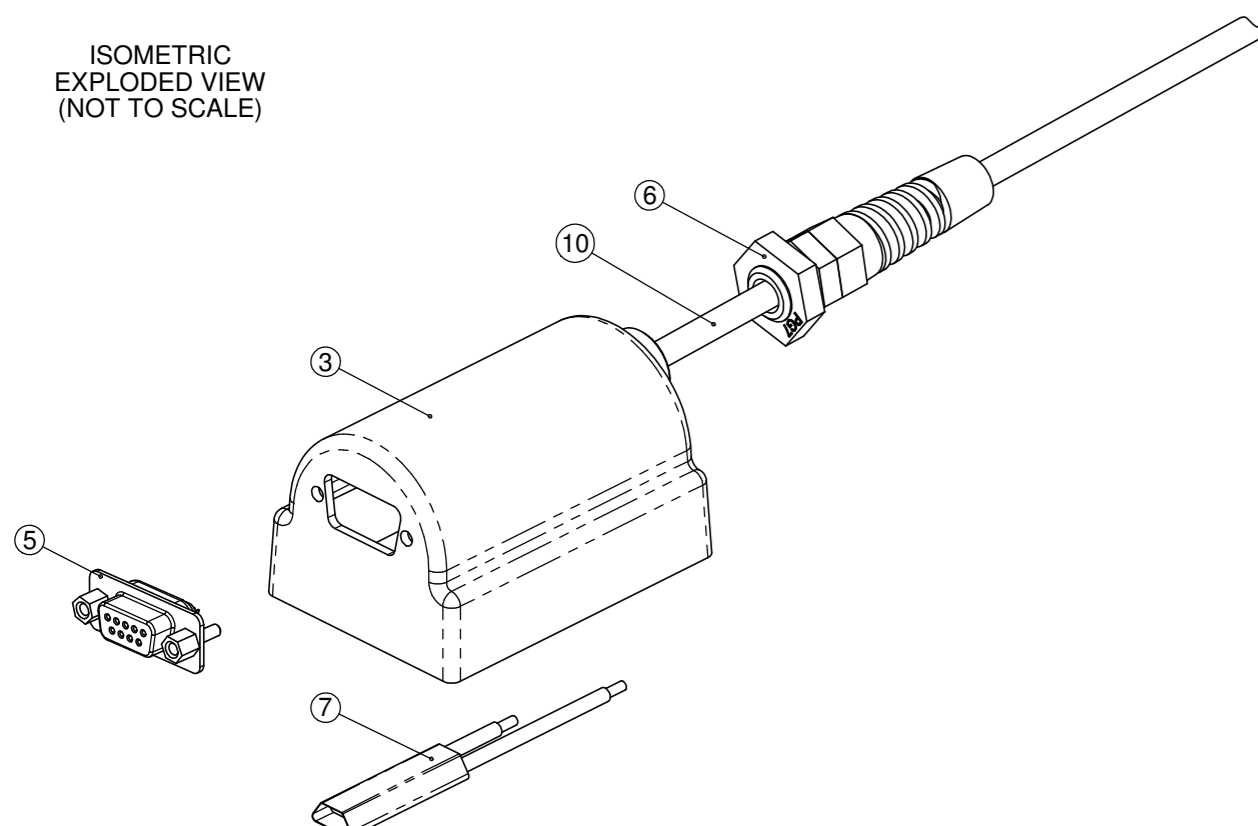
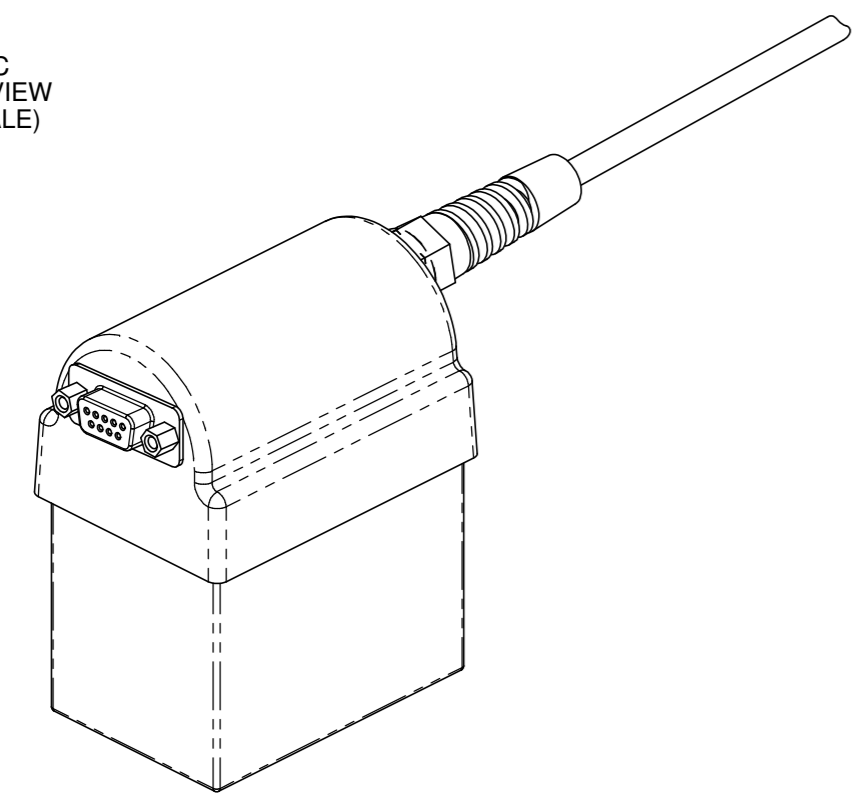


DO NOT SCALE		DIMENSIONS IN MILLIMETRES UNLESS OTHERWISE STATED		GENERAL TOLERANCES		0 DECIMAL (0) ±0.5		1 DECIMALS (0.0) ±0.2		2 DECIMAL (0.00) ±0.1		ANGLES ±0.5°		DESCRIPTION		DRAWING NUMBER		REV			
BATT SLA 4.5AH 6V MIL DATA PACK														0311-0004		1.4					
PROJECT		UNSPECIFIED RADII		SCALE		SHEET		SIZE		MATERIAL		N/A		COLOUR		N/A		FINISH		N/A	
MINELAB		N/A		1:1		1 OF 1		A2		N/A		N/A		N/A		N/A		N/A		N/A	
COPYRIGHT		118 HAYWARD AVE		TORRENSVILLE SA 5031		Ph: (08) 8238 0888		Fax: (08) 8238 0815		VOLUME		DRG. FILE		REF. FILE		0311-0004-1.2 Batt Assy Mil 6V 4.5Ah Data Pack		MASS			
MINELAB		ELECTRONICS		© 2000																	
REV	EAR	DESCRIPTION			DRN	DATE	CHK	DATE	APPD	DATE											
1.2	616	DRAWING RELEASE, H'SHRINK CHANGED			AW	22/Nov/01	DS	4/Dec/01	WH	4/Dec/01											
1.3	714	CABLE 9501-0003 REPLACED WITH CABLE 9501-0034			DdG	31/Jan/02	DS	15/Mar/02	WH	4/Apr/02											
1.4	901	REPLACED PART 0303-0011 WITH PART 0303-0005 'BATT LEAD ACID 6V 4.5Ah 6V4.5', REMOVED REV. COLUMN FROM B.O.M. ORGANISED PARTS IN B.O.M. SO ITEM NO's ARE IN ASCENDING ORDER.			JR	31/Dec/03	WH	7/Jan/04	WH	7/Jan/04											

ISOMETRIC EXPLODED VIEW (NOT TO SCALE)



ISOMETRIC ASSEMBLED VIEW (NOT OT SCALE)



- NOTE:
1. THERMAL SWITCH MOUNTED TO BATTERY CASE WITH HOT MELT GLUE AS SHOWN
 2. BATTERY CAP MOUNTED TO BATTERY CASE WITH HOT MELT GLUE ON LONG AS SHOWN
 3. WIRE CONNECTIONS NOT SHOWN
 4. NUTS, BOLTS & WASHERS FOR 9 PIN SOCKET (PART 5) NOT SHOWN

PART	QTY	ITEM No.	DESCRIPTION
10	600mm	9501-0034	CABLE COIL 4 CORE 73/0.12
9	3x25mm	9201-0012	H/SHRINK 6.0mm ADHV
8	2x10mm	9201-0003	H/SHRINK 3.5mm NON-ADHV
7	1	8302-0001	SWITCH THERMAL KLIXON
6	1	4304-0006	STRAIN RELIEF PG7
5	1	2302-0017	SKT PANEL DATA 9 PIN D 80-FEMALE SOLDER MOUNT (INC. FASTNERS)
4	1	2301-0012	PLUG MILL 6 MALE PIN 62GB-16J-10-6PN
3	1	0703-0040	CAP BATT 6V 4.5Ah
2	1	0303-0005	BATT LEAD ACID 6V 4.5Ah 6V4.5
1	2ml	0001-0001	LOCTITE 406